

# Product Introduction

The term 'special fabric reference' refers to the various combination of wire spacing and diameter for the main and cross wires. These special fabrics are made available to specific steel area requirements in both directions in order to avoid over provision of steel. Please refer to (Table 3) for examples of special fabric reference.

**Table 3**

SSM Fabric Ref.	Main Wire		Cross Wire	
	Diameter (mm)	Spacing (mm)	Diameter (mm)	Spacing (mm)
RA 9/7	9	200	7	200
RB 7/8	7	100	8	200
RD 7/6	7	100	6	100

## 2.3 Standard and Cut-To-Size Dimensions

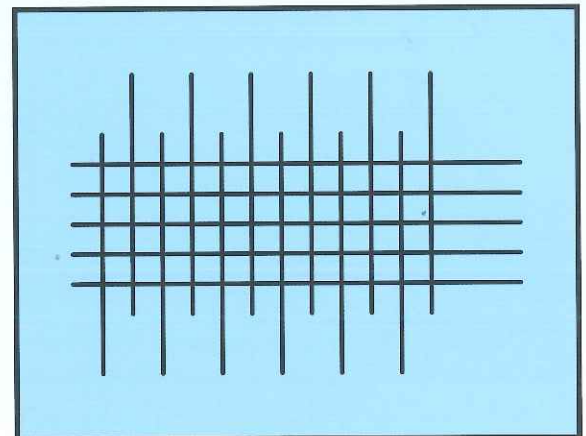
The term 'standard dimension' refers to **SSM Fabric** manufactured in sheet form which is 6.00 metres length by 2.20 metres width.

The term 'cut-to-size dimension' refer to **SSM Fabric** manufactured to any required dimensions to suit the intended purposes subject to the dimensional of the fabricating machine or transportation mode, whichever governs. These mesh are tailor-made to eliminate wastage of material, simplify the laying process to avoid possible mix-up.

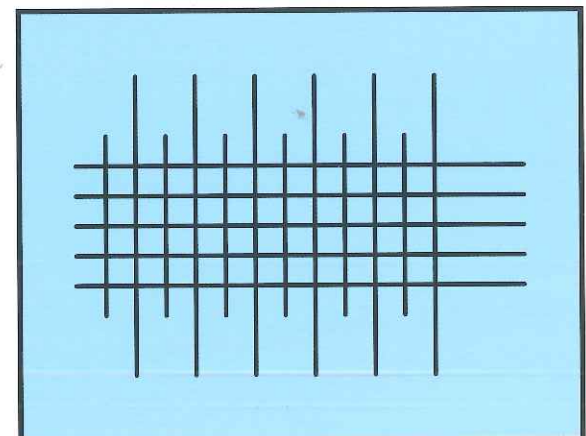
## 2.4 Staggered Fabrics

Curtailed reinforcement can be provided within a sheet of fabric by staggered arrangement of wire (see fig. 1) and the use of alternating lengths of wires (see fig. 2).

This curtailment of reinforcement as provided under clause 3.12.10 of BS8110, can contribute to significant saving of steel.



■ Fig. 1 : Staggered Wire Arrangement



■ Fig. 2 : Alternating Wire Lengths

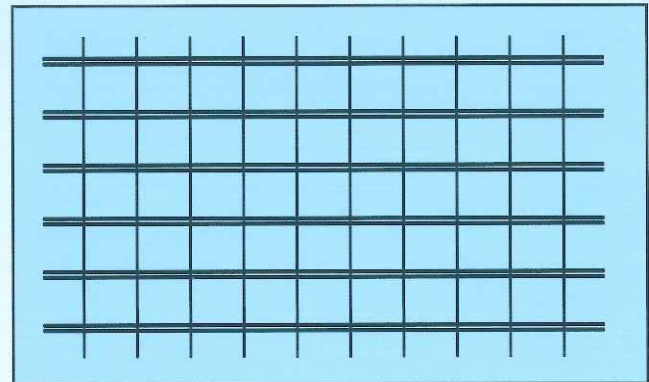
## 2.5 Twin Wire Fabric

Twin Wire Fabric consists of two main wires placed side by side welded to single cross wire. This fabric configuration gives a larger cross sectional area of main steel.

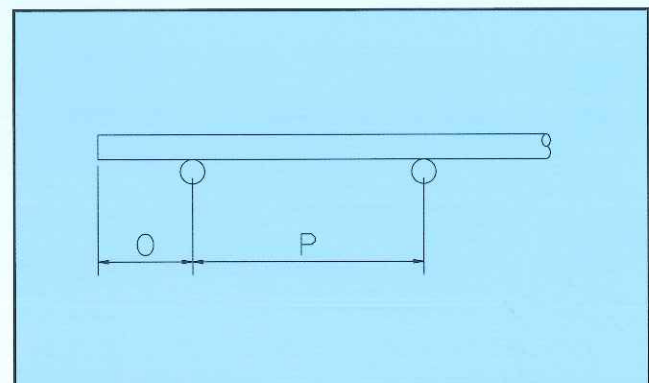
Common main wire spacing are 100mm, 150mm and 200mm. Other spacing are also possible. To specify Twin Wire Fabric, the designer may consult SSM Technical Department for advice.

Twin Wire Fabric can be used in raft foundation, basement slabs, flat slab, etc.

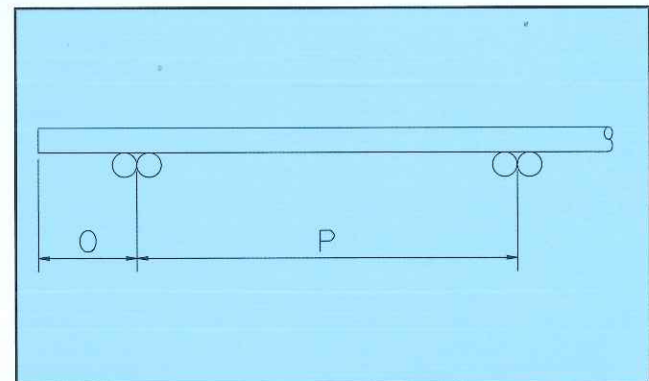
Pitch - is the centre-to-centre spacing of wire in a fabric. For twin wire fabric, the spacing is measured between the tangent of the adjacent wires. (see fig. 4 & fig. 5 )



■ Fig. 3 : Twin Wire Diagram



■ Fig. 4 : Pitch, P and overhang, O



■ Fig. 5 : Pitch, P and overhang, O



■ Twin Wire